

---

1	.....	- 1 -
1.1	.....	- 1 -
1.2	.....	- 2 -
1.3	.....	- 3 -

---

2	.....	- 4 -
---	-------	-------

---

3	.....	- 5 -
---	-------	-------

---

4	.....	- 6 -
4.1	.....	- 6 -
4.2	.....	- 8 -
4.2.1	.....	- 8 -
4.2.2	.....	- 8 -

---

5	.....	- 9 -
5.1	.....	- 9 -
5.2	.....	- 10 -
5.3	.....	- 11 -
5.3.1	.....	- 11 -
5.3.2	.....	- 11 -
5.4	.....	- 13 -
5.4.1	.....	- 13 -
5.4.2 pH	.....	- 13 -
5.5	.....	- 16 -

---

5.5.1	.....	- 16 -
5.5.2	.....	- 16 -

---

6	.....	- 17 -
6.1	.....	- 17 -
6.2	.....	- 17 -
6.3	.....	- 18 -

---

7	.....	- 19 -
7.1	.....	- 19 -
7.2	.....	- 19 -
7.3	.....	- 19 -
7.4	.....	- 20 -
7.5	.....	- 21 -

---

8	.....	- 22 -
1	pH                      pH	..... - 22 -
2	pH	..... - 23 -

---

# 1

## 1.1

PHS-25 pH

pH (mV)

- LCD
- IP54
- pH mV
- 
- 2
- GB 4.00pH 6.86pH 9.18pH
- pH
- 
-

## 1.2

1-1

pH		0.1
mV		(-1400 1400)mV
		1mV
		±1% FS
		5mV
		-11
		11
pH		(0.00 14.00)pH
		0.01pH
		±0.05pH
		0.02pH
		±0.1pH
		0.05pH
		(0.0 60.0)
		(0 40) 85%
l×b×h , kg		200mm×160mm×63mm 0.6kg
		AC 100 240V DC 9V)

### 1.3

1-2

	IP)	IP54
	/	
pH/mV	pH /	
		2
		1 GB
		(0.0 60.0)

---

2

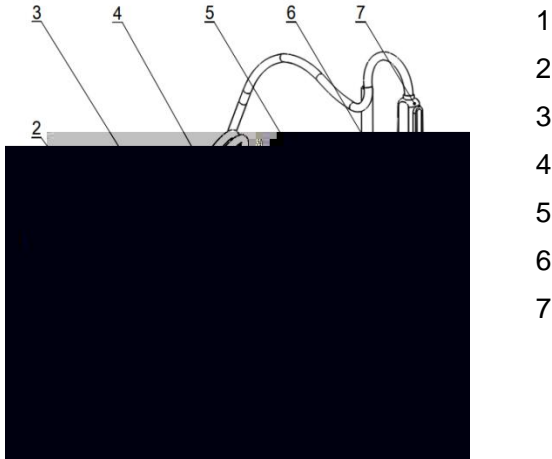




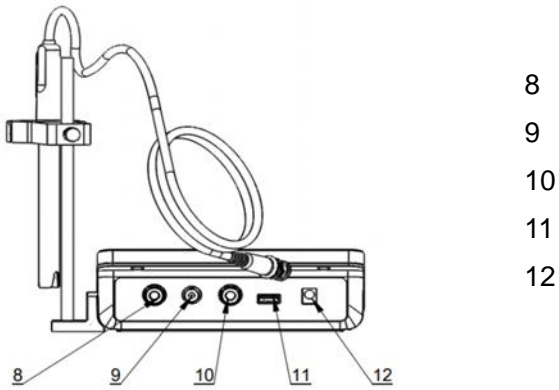
---

4

4.1

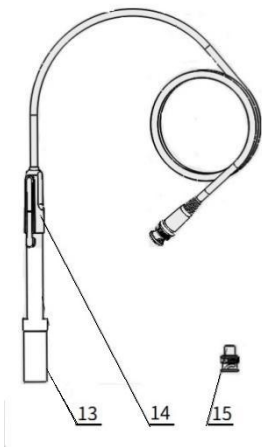


4-1



4-2





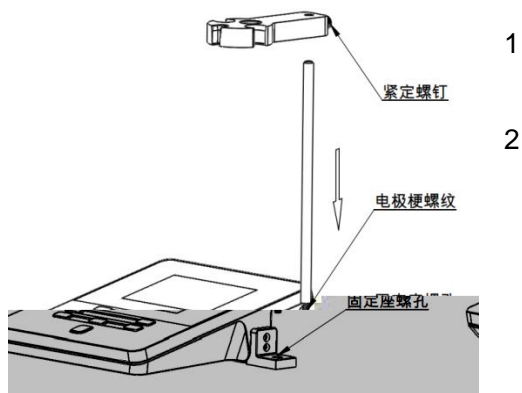
13  
14 pH  
15 Q9

4-3 Q9

---

## 4.2

### 4.2.1



4-4

### 4.2.2

5

5.1

LCD

5-1


5-1



## 5.2

5-2

5-2

1			<ul style="list-style-type: none"> <li>■</li> <li>■</li> <li>■</li> </ul> 3
2			<ul style="list-style-type: none"> <li>■</li> <li>■</li> </ul> mV pH
3			<ul style="list-style-type: none"> <li>■</li> <li>■</li> </ul>
4			<ul style="list-style-type: none"> <li>■</li> </ul>
5			<ul style="list-style-type: none"> <li>■</li> </ul>





5-3

5-4

1		
2		AutoPowerDown
3		Reset                  Default

5.3.2.1



5-4

5.3.2.2

6

300Sec 600Sec 1200Sec 1800Sec

3600Sec

5.3.2.3

100%

25.0

5.4

5.4.1

pH



pH



pH

5.4.2 pH

pH

100

pH

GB 4.00pH 6.86pH

9.18pH

pH

1~2

1) 1~2 pH

2)

Auto

3) pH

6.86pH

pH

6.80pH

25.0

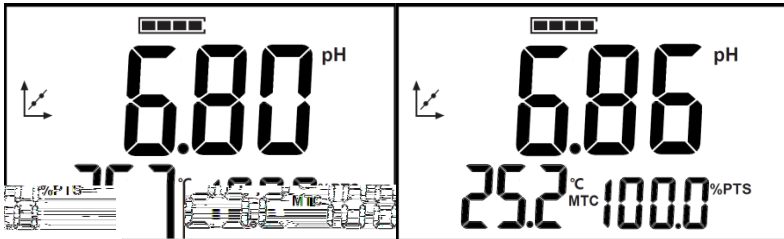
4)

25.2

5)

25.2

pH



5-5

6

2

2

1

pH

pH

pH



1

2

3

pH

4

5

5-5

1	Auto	Auto Configuration
2	Non	Manual Configuration
3	Err	

---

## 5.5

### 5.5.1

### 5.5.2

pH

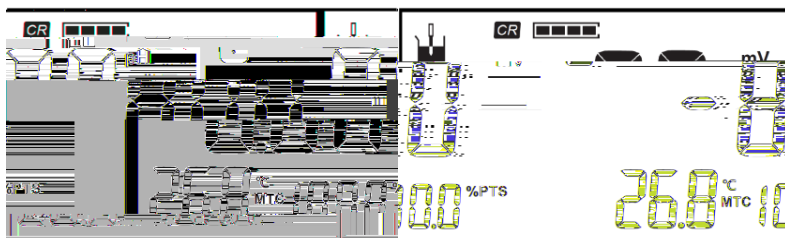
pH

1)

2)

3)

4)



5-6



6

6.1

pH

- 
- 
- 

pH

6.2

pH

3mol/L

- 
- 
- 
- 
- 

Q9

---

■

■ pH

4%HF( ) 3 5 s

0.1 mol/L

■ pH

6-1

	1mol/L ( )
	5% +0.1mol/L HCl

pH

6.3

6-2

## 7

### 7.1

- [www.lei-ci.com](http://www.lei-ci.com)
- [www.lei-ci.com](http://www.lei-ci.com)
- 400-827-1953

### 7.2

■



- [www.lei-ci.com](http://www.lei-ci.com)
- 400-827-1953

### 7.3

- [www.lei-ci.com](http://www.lei-ci.com)

---

400-827-1953



400-827-1953

## 7.4

[www.lei-ci.com](http://www.lei-ci.com)

7-1

E-201F pH	
pH	pH4.00 6.86 9.18
	AC 100 240V DC 9V

7-2

E-201-Z pH	BNC Q9	
E-201-P pH	BNC Q9	
65-1C pH	BNC Q9	
962103 pH	S7-BNC Q9	
962221 pH	S7-BNC Q9	

## 7-2

962121	pH	S7-BNC Q9	100us/cm
962241	pH	S7-BNC Q9	
962242	pH	S7-BNC Q9	
962244	pH	S7-BNC Q9	0.2mL
962243	pH	S7-BNC Q9	
962102	pH	S7-BNC Q9	
962223	RoHS pH	S7-BNC Q9	RoHS
962224	pH	S7-BNC Q9	

## 7-3

PH4.00	6.86	9.18	pH	250mL
PH4.00	6.86	9.18	pH	20ml*30
PH4.00	6.86	9.18		3 *5 *10 150
PH4.00	6.86	9.18	pH	10 *10 100
				100ml/250mL/

## 7.5

5 2 1 3 4

201805

400-827-1953

rex\_xs@lei-ci.com

021-39506398

QQ 4008271953

---

8

5	4.00	6.95	9.39
10	4.00	6.92	9.33
15	4.00	6.90	9.28
20	4.00	6.88	9.23
25	4.00	6.86	9.18
30	4.01	6.85	9.14
35	4.02	6.84	9.11
40	4.03	6.84	9.07
45	4.04	6.83	9.04
50	4.06	6.83	9.02
55	4.07	5.95 18.03 reWh /	



---

1	pH4.00	GR	$\text{KHC}_8\text{H}_4\text{O}_4$	10.12g	
	1000mL				
2	pH6.86	GR	$\text{KH}_2\text{PO}_4$	3.387g	GR
	$\text{Na}_2\text{HPO}_4$	3.533g	1000mL		
3	pH9.18	GR	$\text{Na}_2\text{B}_4\text{O}_7 \cdot 10\text{H}_2\text{O}$	3.80g	
	1000mL				

■ 2 3 15~30 min

■

